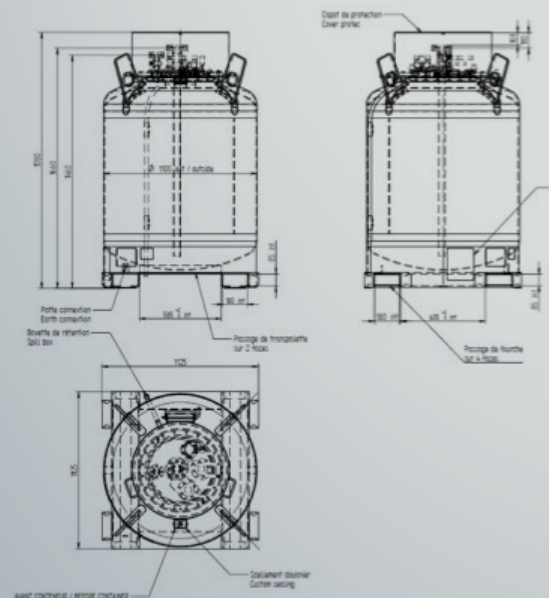




# THE EUROTAINER T14 TYPE

450, 1100 and 2500 LITRE SMALL PORTABLE TANKS

For the Transport and Storage of Liquid Products



- / Global approvals
- / Low tare weight
- / Handling with forklift
- / Safety devices including rupture disc and pressure relief valve
- / Worldwide availability
- / Stainless steel barrel
- / Multiple specification options

# THE EUROTAINER T14 TYPE 450, 1100 and 2500 LITRE SMALL PORTABLE TANKS

## STANDARD SPECIFICATIONS\*

<b>Capacity</b>	450 litre / 118 US gallon 1100 litre/ 290 US gallon 2500 litre/ 660 US gallon	<b>Top Discharge</b>	40 mm / 1.5 inch 316 stainless steel ball valve fitted to a 40 mm/1.5 inch siphon tube via bolted flange
<b>T Code</b>	T14, UN Portable Tank	<b>Bursting disc</b>	Fitted under safety relief valve. Teflon gasket, 65 mm diameter set at 4.84 bar
<b>Internal Diameter</b>	450L: 1090 mm 1100L: 1090 mm 2500L: 1590 mm	<b>Earth connection / grounding</b>	One (1) stainless steel lug
<b>Length:</b>	450L: 1125 mm 1100L: 1125 mm 2500L: 1640 mm	<b>Manway</b>	Stainless steel, 500 mm / 20 inches diameter, stud bolt M20/85 mm closures. PTFE gasket.
<b>Width</b>	450L: 1125 mm 1100L: 1125 mm 2500L: 1630 mm	<b>Air Line</b>	20 mm / 0.75 inch stainless steel ball valve
<b>Height</b>	450L: 1080 mm 1100L: 1780 mm 2500L: 2074 mm	<b>Filling Port</b>	Two (2) fitted / 50 mm diameter
<b>Material</b>	316Ti stainless steel	<b>Spill boxes</b>	Fitted with protection cover
<b>Maximum Gross Weight</b>	450L: 4300 kg 1100L: 4300 kg 2500L: 5500 kg	<b>Safety Devices</b>	65 mm/2.5 inch pressure high flow relief valve set at 4.4 bar / 64 psi.
<b>Tare Weight</b>	450 L: 436 kg 1100L: 530 kg 2500L: 845 kg	<b>Bottom discharge</b>	None
<b>Working Pressure</b>	4 bar/ 58 psi	<b>Manometer</b>	Temperature readings in C and F
<b>Test Pressure</b>	6 bar/ 87 psi	<b>Design Code</b>	ASME sect. VIII, div. 1
<b>Design Temp</b>	93 C	<b>Provisional openings</b>	2 x DN 50 (50 mm) provisions
<b>Barrel thickness and construction</b>	6 mm equivalent reference steel, 316Ti stainless steel construction		

\* All specification details are based on the T14 type small portable tank in the Eurotainer fleet. Specifications may vary based on a selected tank container. For more specific details please contact your local Eurotainer office. Our full office list can be found on our website at [www.eurotainer.com](http://www.eurotainer.com).

Approvals: All global approvals for international transport as UN Portable tank including, IMDG, RID/ADR, US DOT/CFR 49, UIC and other approvals.

### Specification Options:

Lining/coating, level gauges, GPS tracking and telemetry systems, lined/coated valves, various valve connections and fittings, steam heating coils, insulation, electric heating, air actuated valves and dry couplings, etc.

GO TO [WWW.EUROTAINER.COM](http://WWW.EUROTAINER.COM) FOR MORE INFORMATION



### THE FIRST CHOICE IN TANK CONTAINER LEASING

#### EUROTAINER S.A. / HEAD OFFICE

Espace Seine - 26 quai Charles Pasqua- 92309 LEVALLOIS PERRET Cedex France

t +33 (0)1 49 07 26 00 | f +33 (0)1 49 07 24 31

e [head-paris@eurotainer.com](mailto:head-paris@eurotainer.com) | w [www.eurotainer.com](http://www.eurotainer.com)