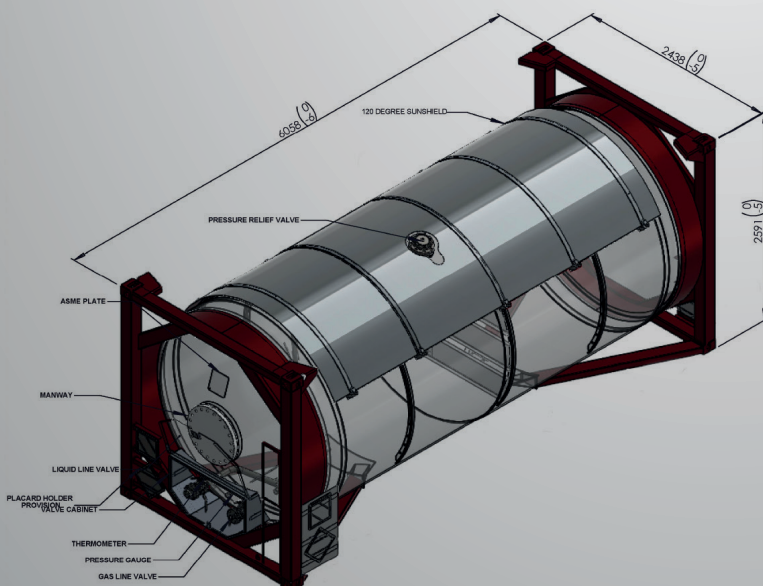




THE EUROTAINER T50 TYPE

24300 AND 24600 LITRE GAS TANK CONTAINERS

For Transport and Storage of Liquefied Gases



- ✓ 27.5 BAR / 399 PSI and 34.4 BAR / 499 PSI working pressure models
- ✓ Built to ASME "U" Stamp, "Division 2.5" design
- ✓ Ideal for transportation and storage of refrigerant gases
- ✓ Large capacity
- ✓ Extensive product list
- ✓ Full frame and beam frame designs
- ✓ Global availability
- ✓ Multiple specification options

THE EUROTAINER T50 TYPE TANK CONTAINERS

THE EUROTAINER T50 TYPE GAS TANK CONTAINERS ARE AVAILABLE IN TWO HIGH PRESSURE MODELS:

- ✓ 27.5 bar/399 psi working pressure with 24600 litre/6499 gallon capacity
- ✓ 34.4 bar/499 psi working pressure with 24300 litre/6419 gallon capacity

STANDARD SPECIFICATIONS*

T Code	T50	Liquid phase valve	Stainless steel, 50 mm/2 inch diameter, ball valve with ACME coupling 3 ^{1/4} inch and cap closure
Length	20 feet (6.058 meters)	Gas phase valve	Stainless steel, 50 mm/2 inch diameter, ball valve with ACME coupling 1 ^{3/4} inch and cap closure
Width	8 feet (2.438 meters)	Manway	Tongue and groove type. 500 mm/20 inch diameter, bolted closures (20)
Height	8 feet, 6 inch (2.591 meters)	Sunshield	Aluminum construction, fastened with strips
Maximum Gross Weight	36000 kg (79366 lbs.)	Valve Cabinet	Stainless steel bottom cabinet with aluminum door
Tare Weight	27.5 bar: 7670 kg (16909 lbs.) 34.4 bar: 8900 kg (19621 lbs.)	Pressure Gauge	Fitted. Reading -1 to 40 bar
External Pressure	Full vacuum	Thermometer	Fitted with NPT thread. Reading -60 to 100 C
Working Pressure	27.5 bar/ 399 psi 34.4 bar/ 499 psi	Baffles	Three (3) stainless steel demountable baffles fitted for surge protection
Test Pressure	35.75 bar/ 518 psi 44.72 bar/ 648 psi	Safety Devices	80 mm/ 3 inch diameter device set at working pressure. Rupture disc & pressure gauge fitted
Design Temp	27.5 bar: 55C/131F 34.4 bar: 50C/122F	Gaskets	PTFE type fitted. Can be changed to meet customer specification
Design Code	ASME sect. VIII div.2– Stamp U2, with dual pressure calculation	Document Holder	One (1) water resistant. PVC document tube
Barrel material	Carbon steel (P460NL) with zinc coating	Grounding/Earth Connection	One (1) stainless steel lug on rear of tank frame

* All specification details are based on the average T50 type, 27.5 and 34.4 bar working pressure tank in the Eurotainer fleet. Specifications may vary based on a selected tank container. For more specific details please contact your local Eurotainer office. Our full office list can be found on our website at www.eurotainer.com

APPROVALS:

All global approvals for international transport as UN Portable tank including CSC, ACEP, SELO, IMDG, RID/ADR, US DOT/CFR 49, UIC, Transport Canada and others.

SAMPLE PRODUCT LIST: R22, R32, R124, R12, R152a, Dimethyl Ether, Propylene, R114, Propane/Butane mixtures, Propane, R134a, R142b, R125, R227, R404, R407, R410A, R1234YF, R1233ZD, etc.

SPECIFICATION OPTIONS:

Level gauges, GPS tracking and telemetry systems, various valve connections and fittings, side discharge valves, ullage gauges, barrel without zinc lining, placard holders, top discharge, insulation, stainless steel cladding, 30 foot tank length, LPG components, etc. Also available in other capacities and pressures.

GO TO WWW.EUROTAINER.COM TO WATCH 3D/CAD VIDEOS OF OUR TANK CONTAINERS

THE FIRST CHOICE IN TANK CONTAINER LEASING

EUROTAINER S.A. / HEAD OFFICE

Espace Seine - 26 quai Charles Pasqua - 92309 LEVALLOIS PERRET Cedex France

t +33 (0)1 49 07 26 00 | f +33 (0)1 49 07 24 31

e head-paris@eurotainer.com | w www.eurotainer.com